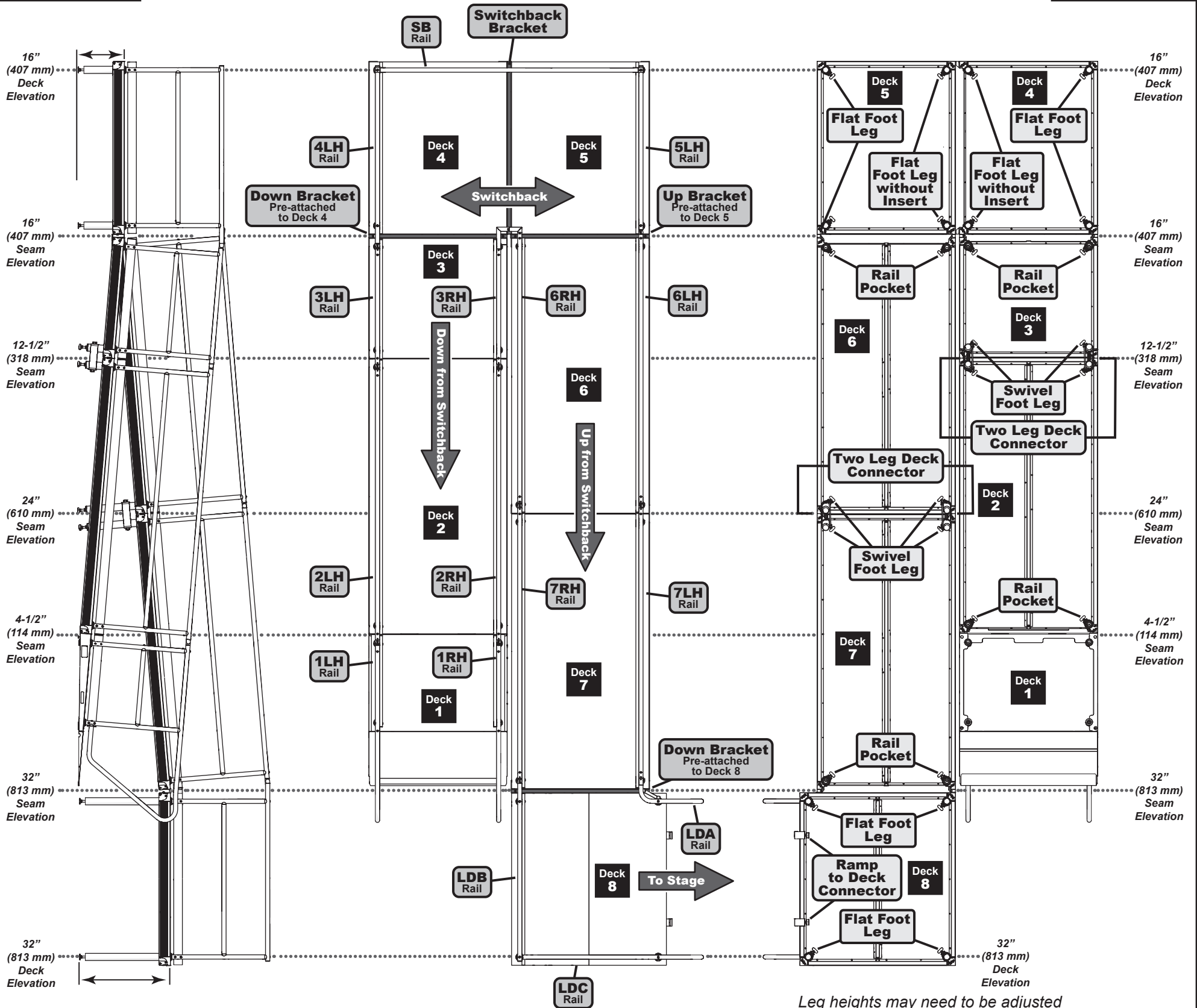


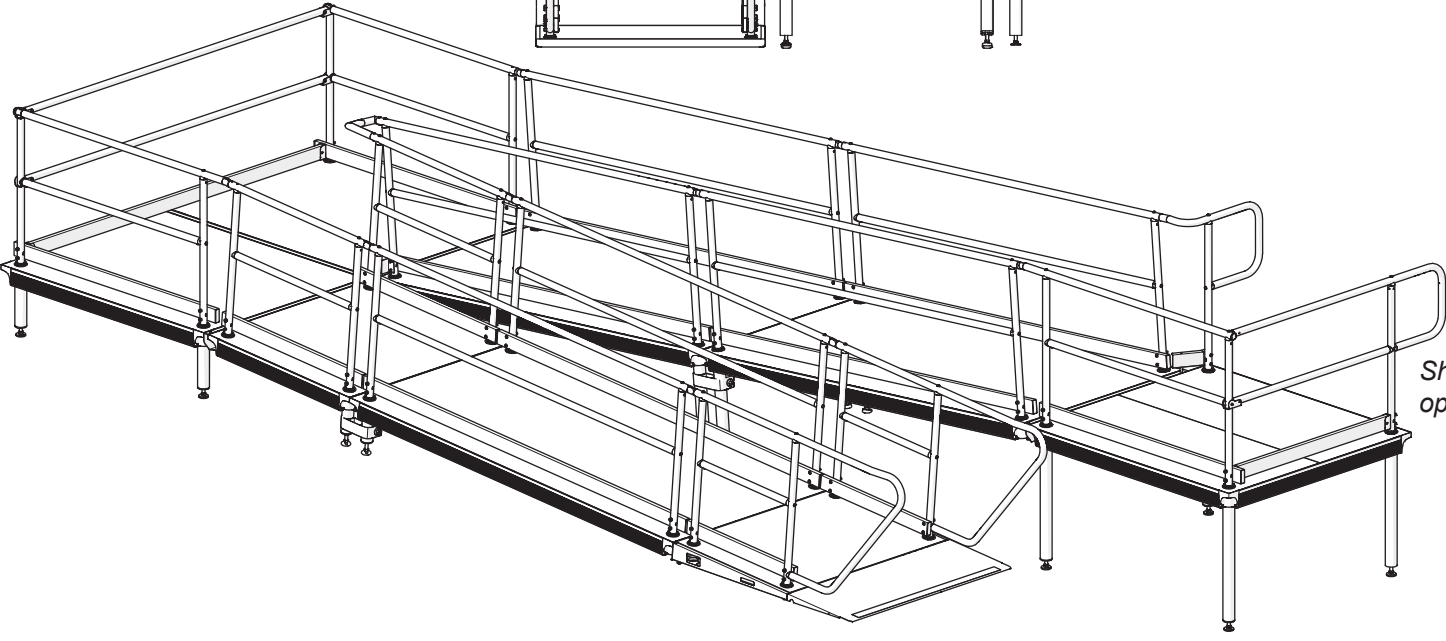
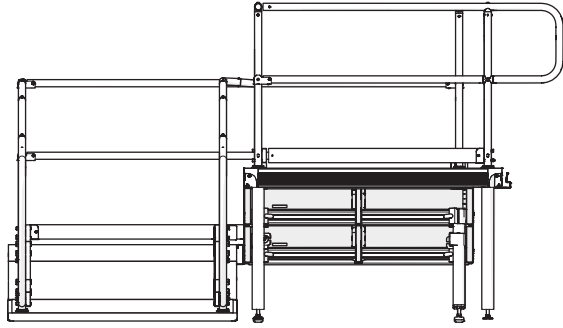
ADA Ramp - Deck and Leg Set Up Guide

for 282A024 - 32" (813 mm) Elevation Ramp with Right Hand Switchback and Left Hand Landing



This guide shows assembled component placement only, see the Assembly Instructions for assembly procedures.

Leg heights may need to be adjusted to accommodate elevation changes and differences.



Shown with optional Mid Rails

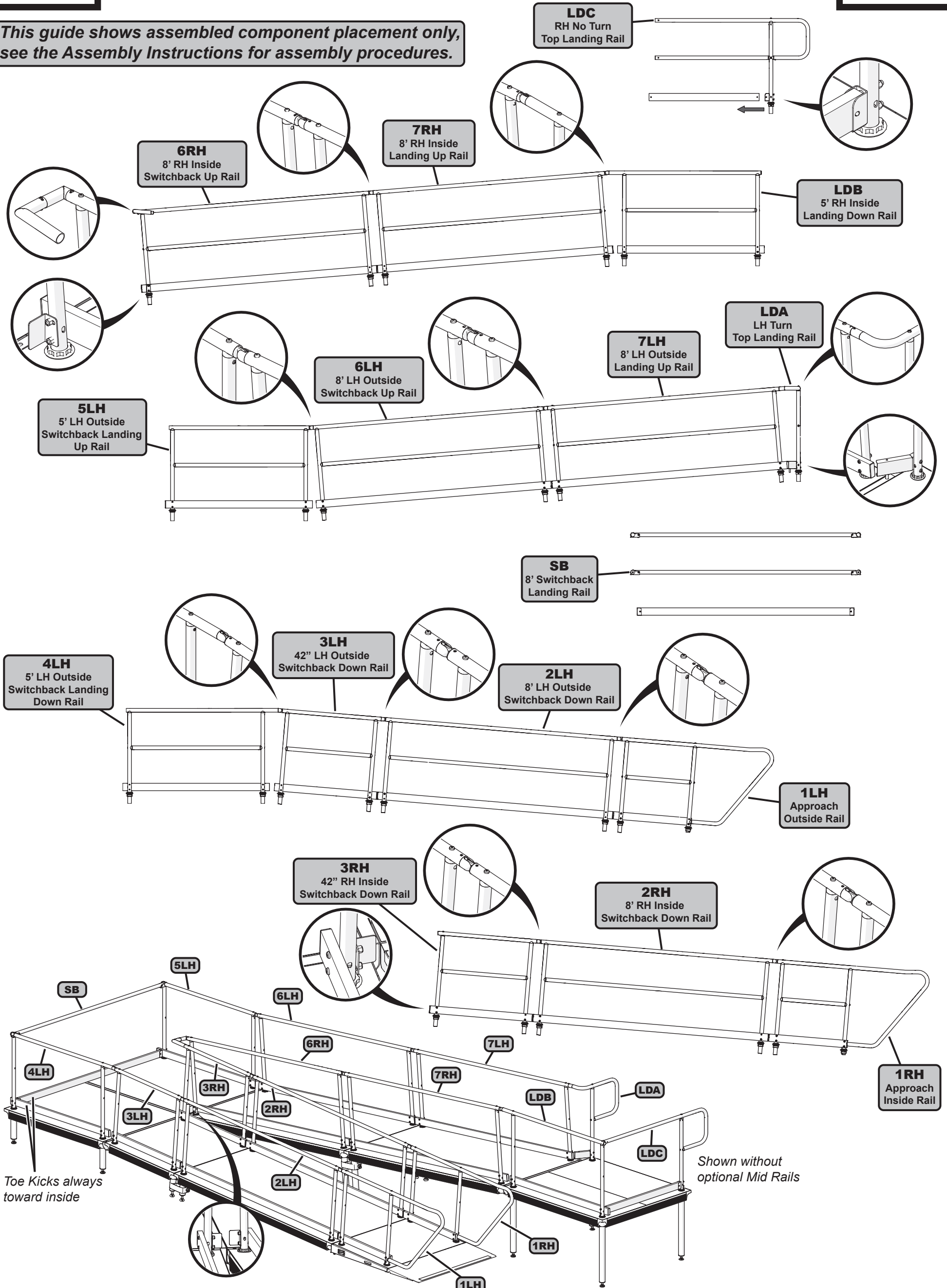
Wenger Corporation
 555 Park Drive, P.O. Box 448
 Owatonna, Minnesota 55060-0448
 USA: 800-4WENGER (493-6437) • Worldwide: +1 (507) 455-4100
 wengercorp.com

Wenger®
 Your Performance Partner

ADA Ramp - Rail Set Up Guide

for 282A024 - 32" (81m mm) Elevation Ramp with Right Hand Switchback and Left Hand Landing

This guide shows assembled component placement only, see the Assembly Instructions for assembly procedures.



Wenger Corporation
 555 Park Drive, P.O. Box 448
 Owatonna, Minnesota 55060-0448
 USA: 800-4WENGER (493-6437) • Worldwide: +1 (507) 455-4100
 wengercorp.com

Wenger®

Your Performance Partner